

CHESHIRE AREA SHOW at the Royal Cheshire County Showground

TUESDAY 21st and WEDNESDAY 22nd JUNE 2022

I have read the G.D.P.R. policy and confirm that I agree with Cheshire Agriculture Society's Data Protection Policy and will contact the Society and Data Protection Officer should I have any concerns. I consent to this and I am aware that during the Royal Cheshire County Show I may be photographed and images may be used at a later date for promotional purposes.

Signed

Date

Beyond Imagination in the Theatre of Flowers

JUDGES:-

Mrs Rita Braithwaite and Mrs Jan Travis

FLORAL DESIGN SCHEDULE

Marquee Opening Times

Tuesday 21st June - 9.00 am to 6.00 pm

Wednesday 22nd June - 9.00 am to 6.00 pm

Executive Director of Cheshire Show - Mr Rob Davenport
Clayhouse Farm, Flittogate Lane, Tabley, Knutsford, Cheshire WA16 0HJ
Reg. Charity No. 215531

Competition entries should be returned by Wednesday 1st June 2022 to:

**MRS ANN FRANCE, CHURCH HOUSE FARM,
GOLBORNE ROAD, WINWICK, WARRINGTON, WA2 8LF**

STAGING Staging may take place on Sunday 19th June 2022 from 10.00 am to 6.00 pm and Monday 20th June from 9.00 am to **3.30 pm.**

Judging will take place on Monday 20th June 2022 at 4.00 pm.

Exhibitors should report to the Competitions Secretary in the Marquee on arrival. Please note cars MUST be unloaded as directed.

Dismantling **will take place after 5.30 pm** and before 7.00 pm on Wednesday 22nd June 2022. Trophies to be presented on Wednesday 22nd June 2022 in the Flower Marquee at 4.30 pm. Payment of Prize Money will take place from 4.30 pm.

RULES

1. The position occupied by all exhibitors will be decided by the Committee and a card with the name of each exhibitor will be placed in each space.
2. The Judges' decision will be final.
3. All classes must be arranged by the exhibitor/s in the marquee without assistance, with the exception of Classes F4, F12 and F13 which may be brought ready assembled.
4. All entries should be on the official entry form which should be returned not later than 1st June 2022 addressed to **MRS ANN FRANCE, CHURCH HOUSE FARM, GOLBORNE ROAD, WINWICK, WARRINGTON, WA2 8LF.** Tel: 01925 634 198
5. Trophies will be awarded but remain the property of the Cheshire Agricultural Society CIO and will not be given out. There will, of course, be the opportunity for the winning exhibitor to be photographed with the trophy.
6. Whilst the Society will take all reasonable steps to prevent injury to persons or damage to property, neither the Society nor its Officers or Servants accept responsibility for such injuries or damage howsoever caused and whether or not involving negligence on the part of any such Officers or Servants.

An EXHIBIT is composed of natural plant material, with or without accessories, contained within a space as specified in a Show Schedule

All classes to be judged in accordance with the NAFAS Competitions Manual Third Edition 2015.

The Show, its Officers or Servants shall not be responsible for any accident, damage or loss however caused, that may occur to any Exhibitor or his Servant, or to any article, animal or property brought into the Showground, or while entering or leaving the Showground. Each Exhibitor shall be solely responsible for any loss, injury or damage that may be done to or occasioned by, or arising from, any machinery, or other article or any animal or property exhibited by them. It is a condition of entry that each Exhibitor shall indemnify and hold harmless the Show from and against all actions, suits, expenses and claims on account of such damage or injury.

NAFAS Rules state that disqualification will take place for the following reasons:-

1. Failure to comply with any specific requirements of a class as stated in a Show Schedule, eg, the measurements or the components.
2. Inclusion of artificial plant material, (unless specifically allowed by a Show Schedule).
3. Inclusion of any fresh plant material that does not have its roots or the cut ends of its stems in water or water-retaining material. (For exclusions see the NAFAS Competitions Manual Third Edition 2015)

Note: All measurements are approximate.
Please ensure that all components will withstand any dampness in the atmosphere.
Classes F2 F3 F5 F7 F9 and F10 are staged on tabling approx. 80cm from the floor with a fabric background. Colour of staging will be confirmed with acceptance of entry.
All adult entries will qualify for an exhibitor's ticket.

*Entry fees : The entry fees are £5 per class, except for classes F4 (£2) and F5 (20)

CHESHIRE AGRICULTURAL SOCIETY

ROYAL CHESHIRE COUNTY SHOW 2022

Floral Design Section

Entry Form

Class number	Entry Fee*
Total Entry Fee	£

Please indicate the days that you are staging your exhibits to help with the catering
SUNDAY.....MONDAY.....

Name

Address

.....Post code.....

e-mail

ClubTel No

Please make cheques payable to "Cheshire Agricultural Society" .
Payment by BACS can be made – details via cheshire.show@nafascheshire.org.uk
Entry forms, fees and a stamped, addressed envelope to be sent to arrive on or before
Wednesday 1st June 2022 to MRS ANN FRANCE, CHURCH HOUSE FARM, GOLBORNE
ROAD, WINWICK, WARRINGTON, WA2 8LF. Tel No 01925 634198

TROPHIES

- The Lowe Trophy - Best Individual exhibit in the show.
- The Jack Hamlyn Trophy - Runner up to best individual exhibit in the show.
- Margaret A Taylor Trophy - Best use of garden plant material in any class.
- Norie Eve Memorial Trophy - Best use of colour in any class.
- Mary Shaw Award - Best craft, a committee gift to the winner, kindly sponsored by Sue Jackson
- Stonier Trophy - People's choice
- Perpetual Challenge Trophy – winner of novice class
- The Flower Arranger Award – a year's subscription for the winner of novice class

For junior classes:

- Richard Baker Memorial Cup
- Florence Dunwoody Memorial Cup

PRIZE MONEY

- For F1 – 1st prize £30, 2nd £20, 3rd £15
- For F4 – 1st prize £12, 2nd £8, 3rd £6
- For all other classes – 1st prize £20, 2nd £15, 3rd £10


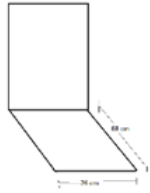
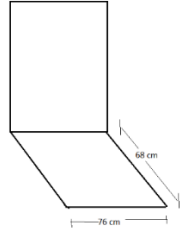
New to competing or short on confidence?

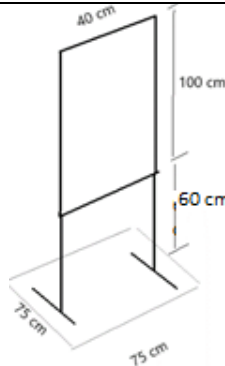
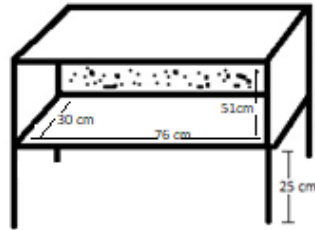
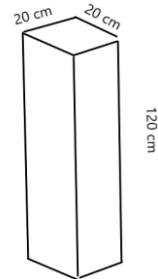
- Want to enter but not quite sure?
- Need to know more about entering floral art competitions?
- Like to try out your design first?
- Just need a bit more confidence?

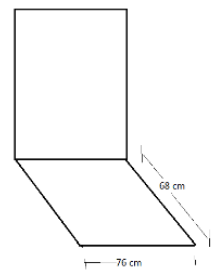
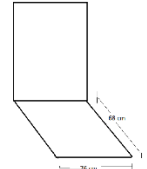
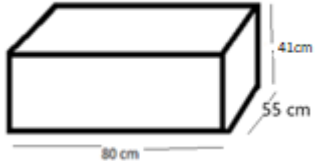
Help is at hand!

Cheshire Area of NAFAS has a friendly, supportive Competitor Support Group. It runs on Zoom and aims to hold a live event well before the Cheshire Show for those who would like a bit of help and support so they can enter the show without worry.

Contact Janet via email - canonlineevents@gmail.com

<p>Class F1 “Material World” An exhibit to be staged by not more than two people on a pole 160 cm high with two removable mesh plates measuring 35cm diameter and 20cm diameter. These plates can be moved up and down the pole or removed entirely. Space allowed 120cm x 120cm. To be viewed all round and judged from the front.</p>	
<p>Class F2 “Invention” An exhibit. Space allowed Width 76cm, Depth 68cm, Height optional. Tabling and background dark blue fabric.</p>	
<p>Class F3 “Have a go at the Cheshire Show” A novice class open to anyone who has not previously won an award at a floral art competition judged under NAFAS rules (Flower club competitions excepted). Space allowed Width 76cm, Depth 68cm, Height 120cm. Tabling and background dark blue fabric.</p>	
<p>Class F4 “Flight of Fantasy” A small exhibit. To be staged on white shelving. Space allowed Width 20cm, Depth 20cm, Height 30cm. May be brought ready assembled.</p>	
<p>Class F5 “Fabrication” An imposed class. Space allowed Width 76cm, Depth 68cm, Height optional. Staged on dark blue fabric. STAGING FOR THIS CLASS WILL BE ON SUNDAY 19TH JUNE AT 2.00 PM SHARP</p>	

<p>Class F6 “Construction” An exhibit. To be staged on a free standing, black painted frame Width 40cm Height 100cm, on legs 60cm tall. A movable mesh frame (61 cm by 97 cm) will be supplied and can be hung either front or back of the wooden structure. Mesh size 5 cm by 5.5 cm squares. Space allowed Width 120cm Depth 75cm. Height optional. Staged against marquee wall.</p>	
<p>Class F7 “Hidden Depths” An exhibit, to be staged in an open fronted box inner width 76cm, inner height 51cm. Inner depth 30cm between front of box and front of foam. Insulation board of 10 cm depth and rough facing texture is fixed to the inside back. Competitors may use the board however they choose. The box is elevated to a height of 25cm on a bench approx. 80 cm high. Plant material should not exceed the dimensions of the box but may come out of the front but must not touch the ground. Staged on tabling covered in black fabric. Foam painted in pale grey, pine box colour washed in pale grey.</p>	
<p>Class F8 “Illusion” An exhibit To be staged on a grey painted plinth, Width 20cm, Depth 20cm, Height 120 cm. Staged against the marquee wall. To be viewed and judged from the front. Space allowed Width optional up to 100cm, Depth optional up to 100cm, Height optional up to 100cm from the top of the plinth.</p>	

<p>Class F9 “It’ll Come in Handy” An exhibit. Space allowed Width 76cm, Depth 68cm, Height optional. To be staged on tabling and background of dark blue fabric.</p>	
<p>Class F10 “Verdigris” An exhibit featuring foliage. To be staged on a bench 76 cm high. Space allowed Width 76cm, Depth 68cm, height optional.</p>	
<p>Class F11 “Concoction” A still life exhibit. To be staged on a box on the marquee floor, measuring Length 80cm, Depth 55cm, Height 41cm. Colour washed with grey paint, to be viewed and judged from above. Space allowed; length 100cm, width 80cm</p>	
<p>Class F12 “3D” A craft class. Space allowed Width 45cm, Depth 45cm Height optional. Tabling covered in olive coloured drape. May be brought ready assembled.</p>	
<p>Class F13 “If the Shoe Fits” Junior Class Age ranges 5-12 and 13-17. An arrangement in a shoe. May be brought ready assembled.</p>	

Even those who cannot attend the show can enter the virtual class and photographs of entries will be displayed at the show. For details of class title and requirements contact cheshire.show@nafascheshire.org.uk